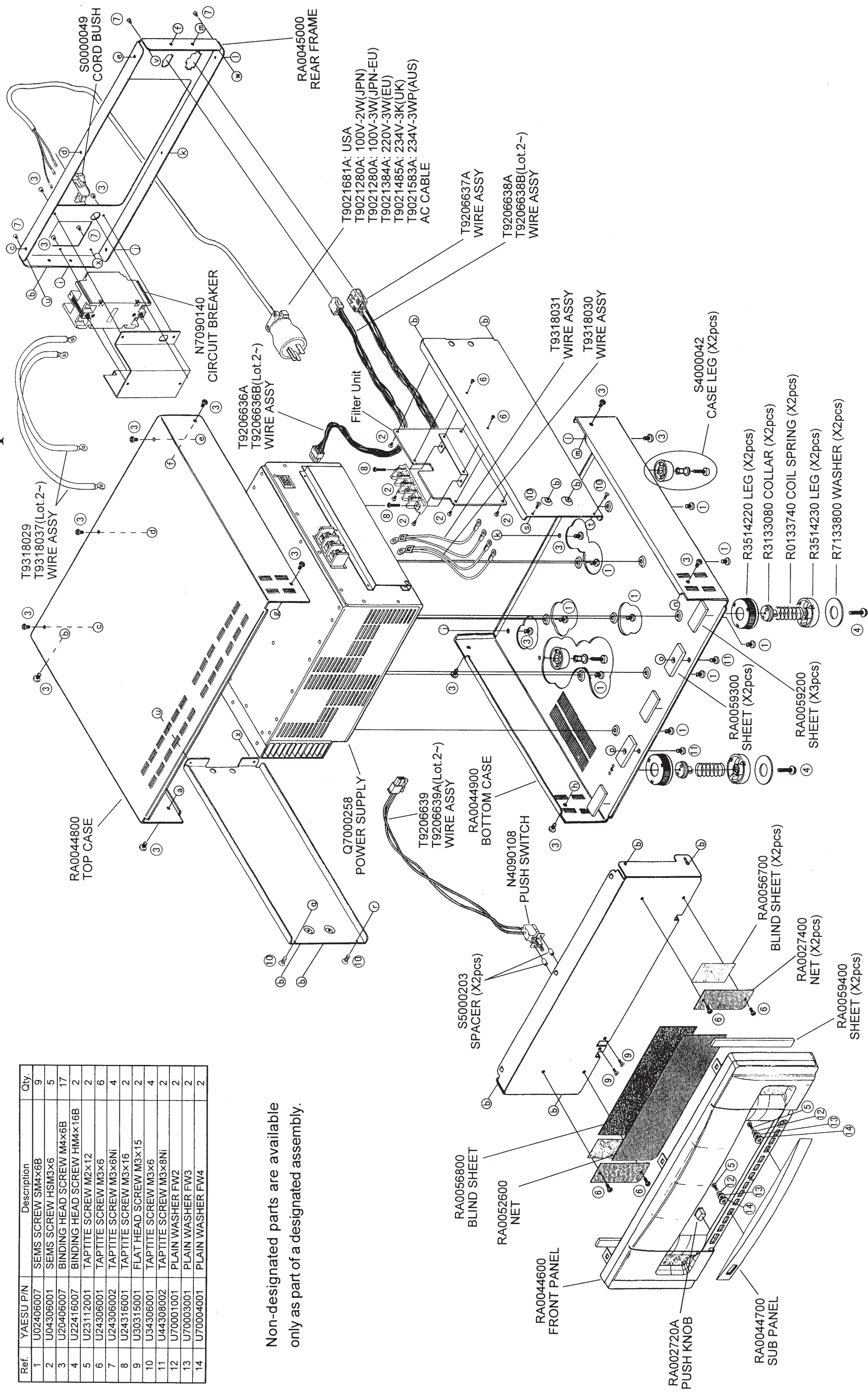


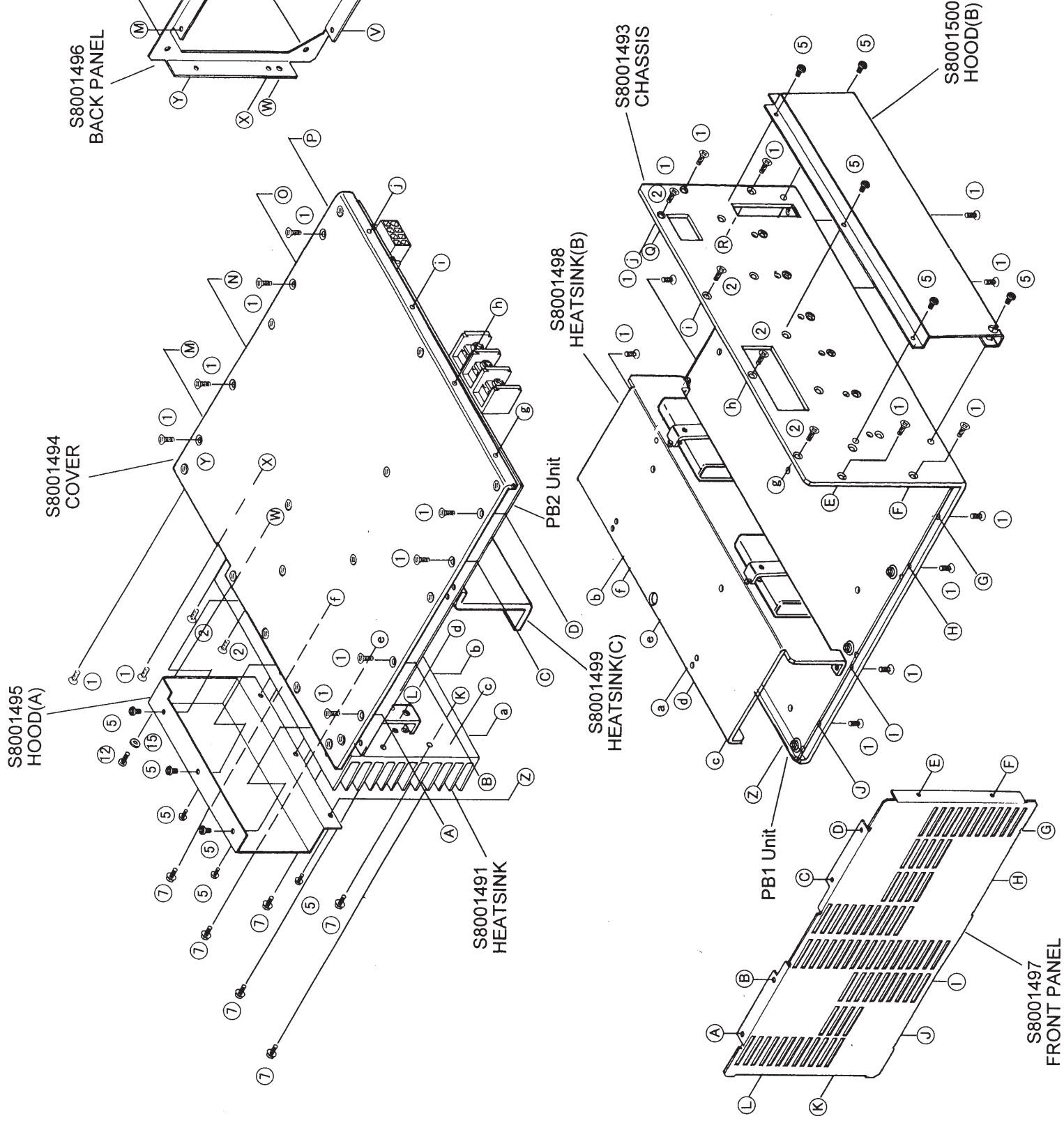
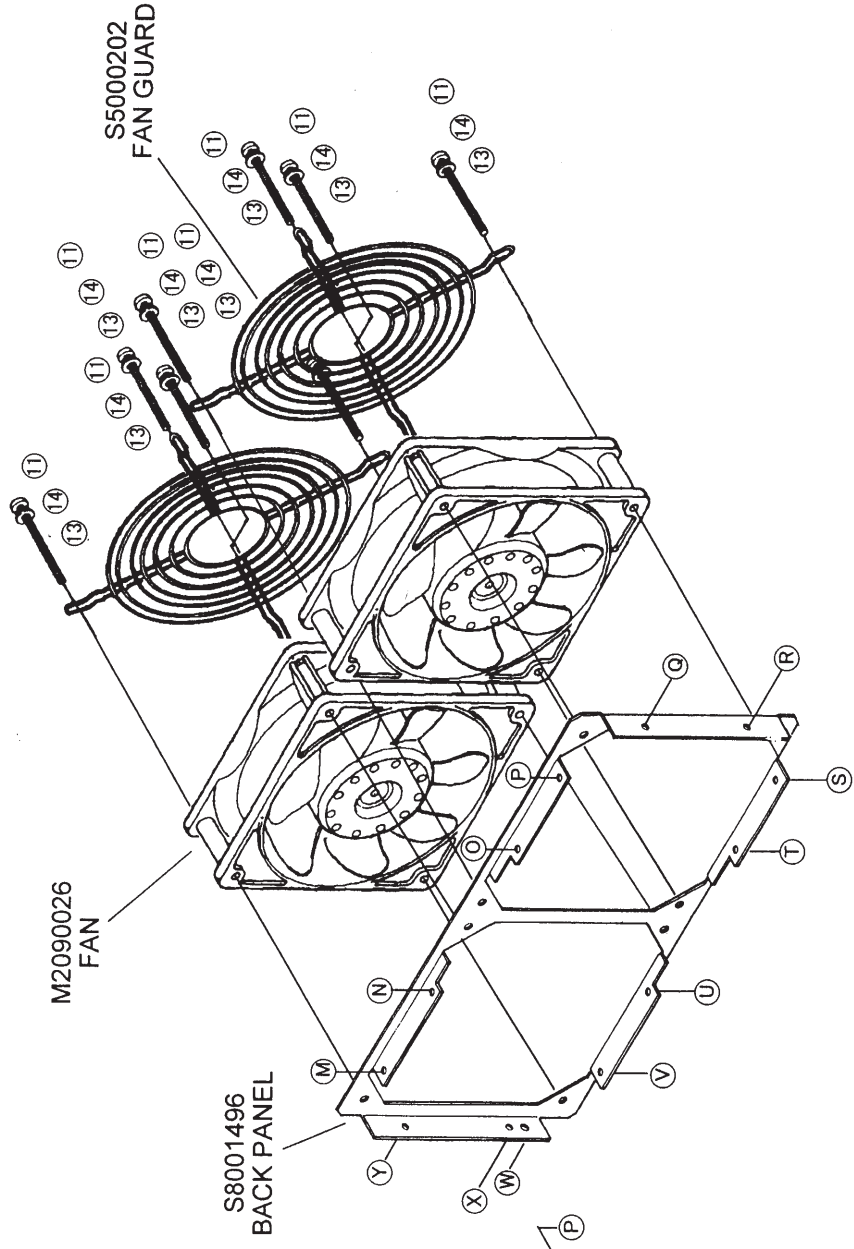
VP-1000 Exploded View & Miscellaneous Parts

Ref.	YAESU P/N	Description	Qty.
1	U02406007	SEMS SCREW SM4x6B	9
2	U04306001	SEMS SCREW HSM3x6	5
3	U20406007	BINDING HEAD SCREW M4x6B	17
4	U22416007	BINDING HEAD SCREW HM4x16B	2
5	U23112001	TAPTITE SCREW M2x12	2
6	U24306001	TAPTITE SCREW M3x6	6
7	U24306002	TAPTITE SCREW M3x6Ni	4
8	U24316001	TAPTITE SCREW M3x16	2
9	U30315001	FLAT HEAD SCREW M3x15	2
10	U34306001	TAPTITE SCREW M3x6	4
11	U44308002	TAPTITE SCREW M3x8Ni	2
12	U70001001	PLAIN WASHER FW2	2
13	U70003001	PLAIN WASHER FW3	2
14	U70004001	PLAIN WASHER FW4	2

Non-designated parts are available only as part of a designated assembly.



VP-1000 Exploded View & Miscellaneous Parts



Ref.	YAESU P/N	Description	Qty.
1	U30306012	FLAT HEAD SCREW M3x6	22
2	U30308012	FLAT HEAD SCREW M3x8	6
5	U03306002	PAN HEAD SCREW ASM3x6	11
7	U03310001	PAN HEAD SCREW ASM3x10	6
11	U00445001	PAN HEAD SCREW M4x45	8
12	U00410012	PAN HEAD SCREW M4x10	1
13	U70004001	PLAIN WASHER FW4	8
14	U71004001	SPRING LOCK WASHER SW4	8
15	U73004002	TOOTHED LOCK WASHER IW4NI	1

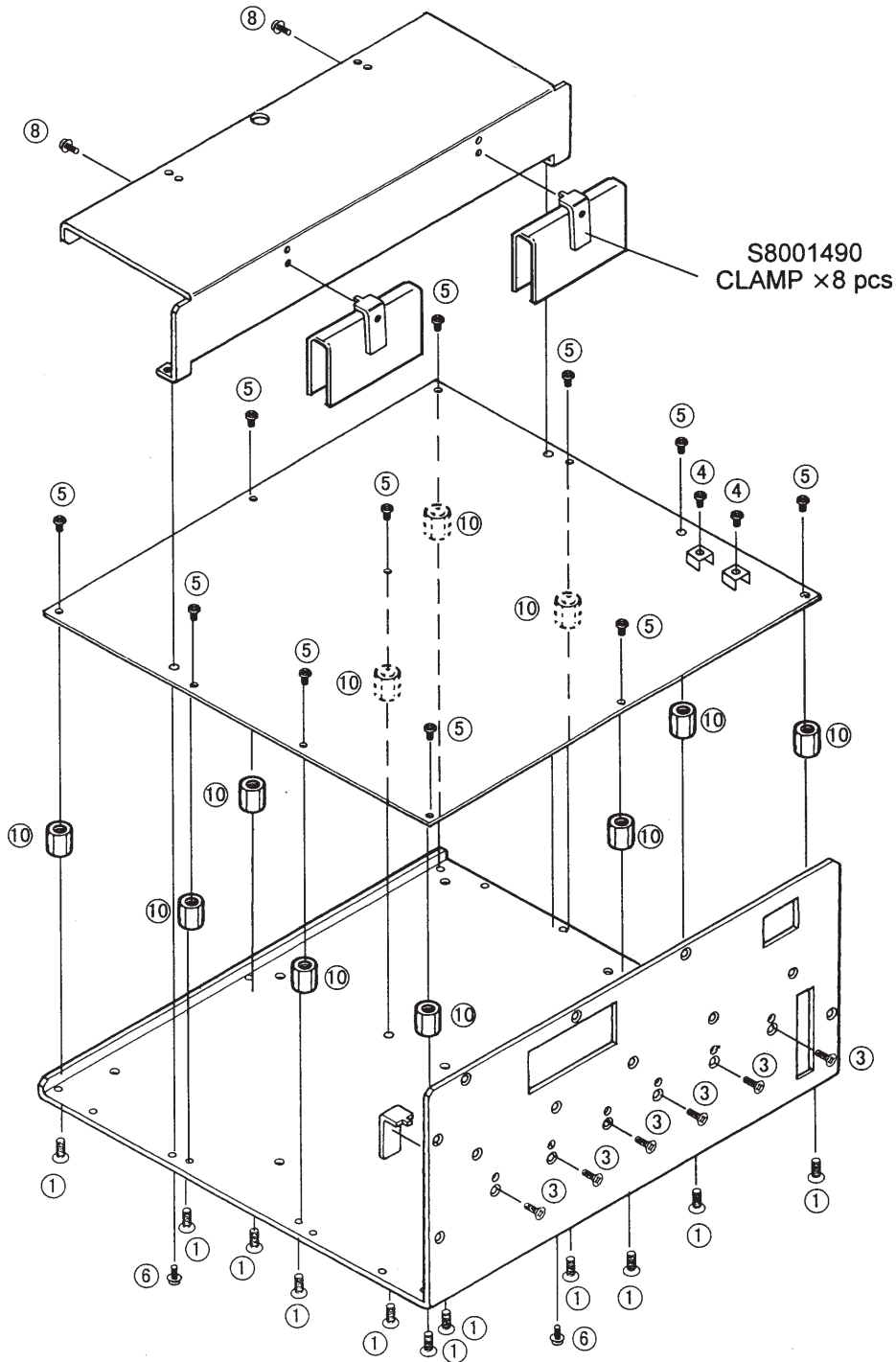
Non-designated parts are available only as part of a designated assembly.

— VP-1000 Exploded View & Miscellaneous Parts

PCB1-Unit

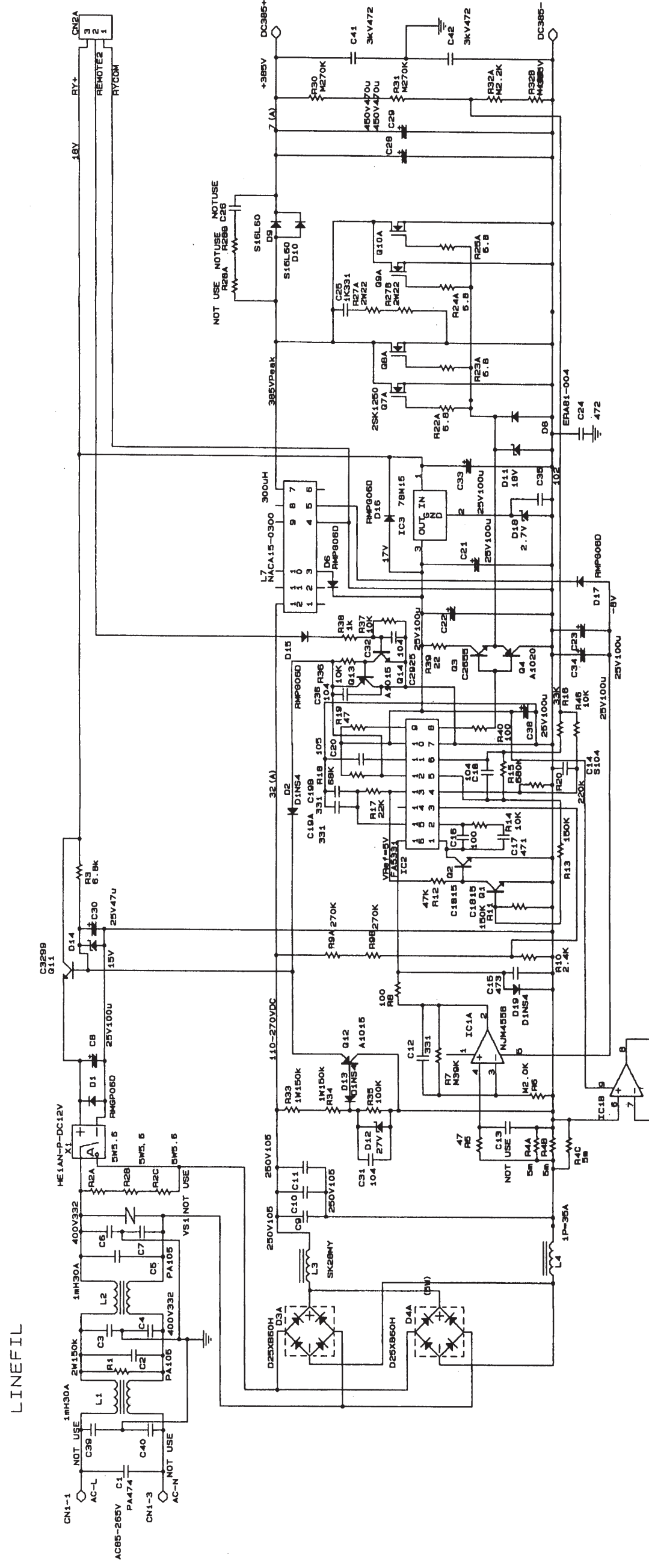
Non-designated parts are available only as part of a designated assembly.

Ref.	YAESU P/N	Description	Qty.
1	U30306012	FLAT HEAD SCREW M3 X 6	11
3	U30315001	FLAT HEAD SCREW M3 X 15	6
4	U40310201	TAPPING SCREW 3 X 10	2
5	U03306002	PAN HEAD SCREW ASM3 X 6	11
6	U03308002	PAN HEAD SCREW ASM3 X 8	2
8	U03314001	PAN HEAD SCREW ASM3 X 14	2
10	R6052651	SPACER L=8	11



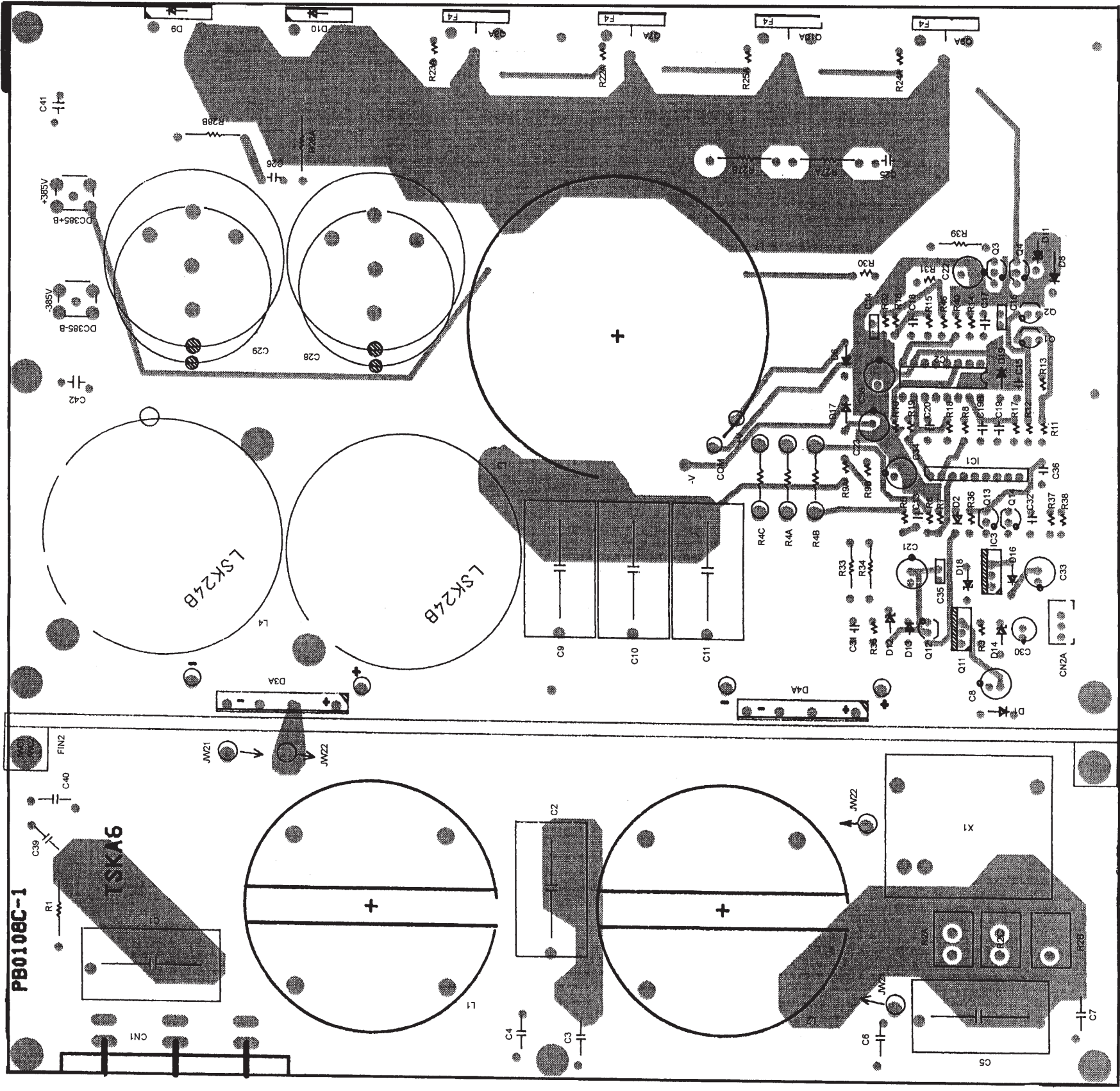
Power Supply Unit PB1 (AC Power Supply VP-1000)

Circuit Diagram



Power Supply Unit PB1 (AC Power Supply VP-1000)

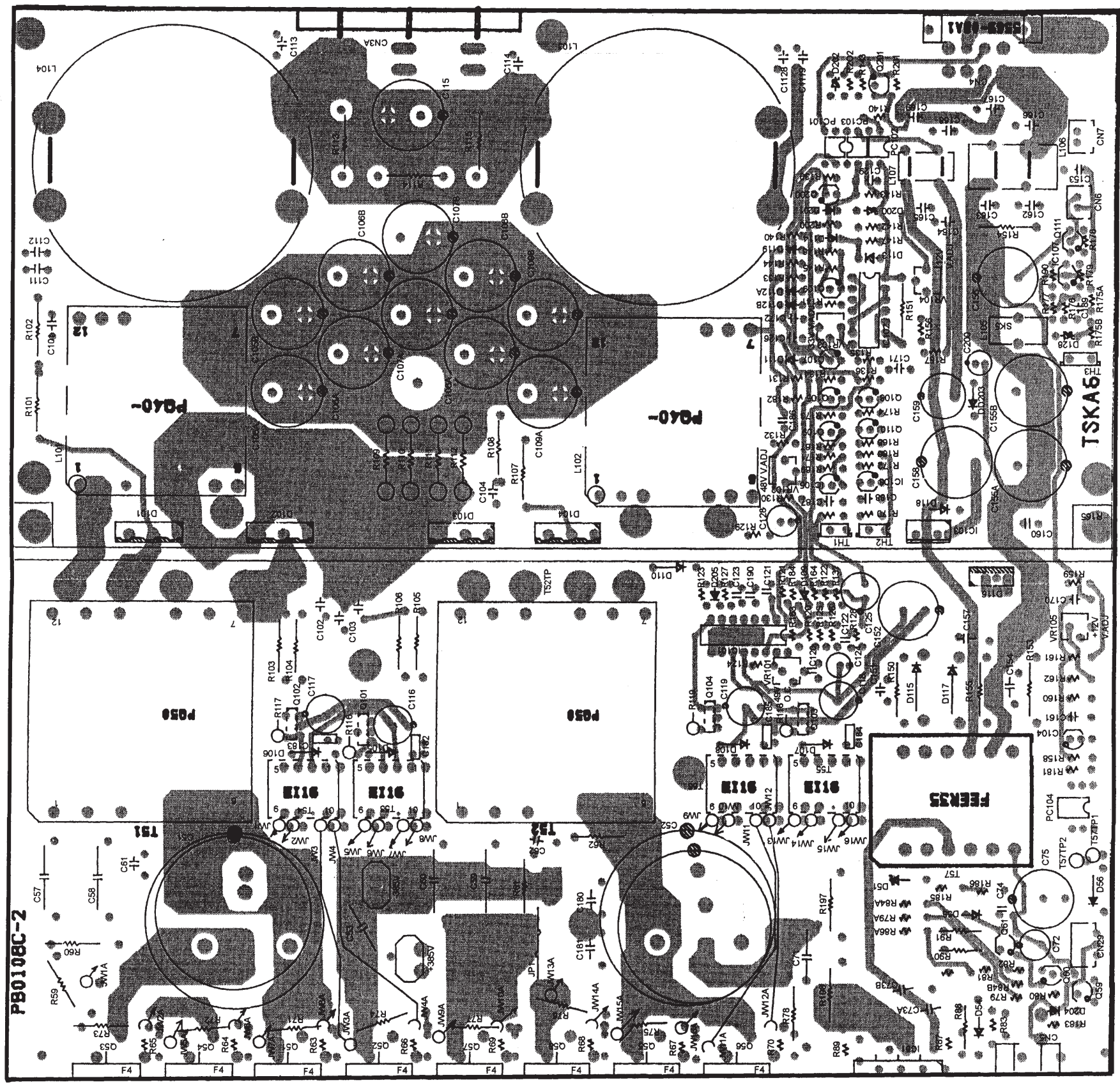
Parts Layout



Component Side

Power Supply Unit PB2 (AC Power Supply VP-1000)

Parts Layout



Component Side